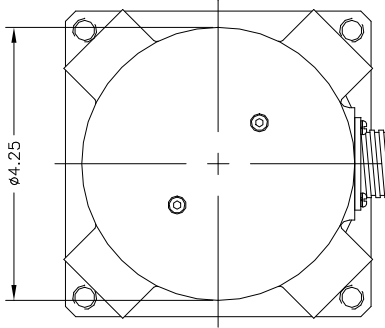
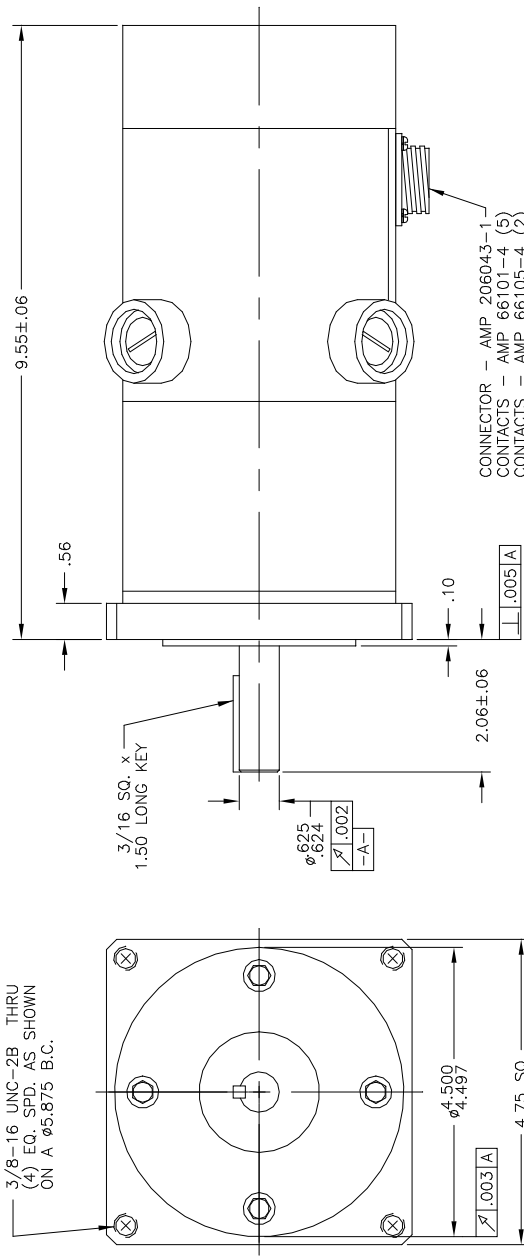


NOTES:
 1. ROTATION: WITH POSITIVE VOLTAGE APPLIED TO PIN 1, ROTATION SHALL BE CLOCKWISE AS VIEWED FROM OUTPUT SHAFT END, AND THE TACHOMETER OUTPUT VOLTAGE SHALL BE POSITIVE ON PIN 6.

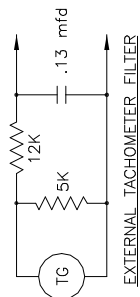
REVISIONS		
REV	DESCRIPTION	DATE
P1	PRELIMINARY	6-2-04
SIGNATURE NEEDED FOR ORDER APPROVAL		
SIGN	DATE	
APPROVALS NOT RECEIVED WITHIN 48 HOURS MAY AFFECT DELIVERY		



MOTOR PARAMETERS @25°C		
TOL.	UNITS	VALUE
MAX.	R.P.M.	2000
MAX.	LB-IN	27.56
MAX.	LB-IN	165.37
±10%	LB-IN/AMPS	3.3
±10%	V/K R.P.M.	39.2
±10%	OHMS	1.2
±30%	mH	6.4
NOM.	LB-IN-SEC ²	0.008375
NOM.	LB-IN	1.56
NOM.	LB-IN/KRPM	0.29
MAX.	°C	155
NOM.	LBS	12.04

BRAKE PARAMETERS @25°C		
UNITS	VALUE	
VDC	24	
LB-IN	33	
WATTS	8.3	
AMPS	0.34	
OHMS	70	

TACHOMETER PARAMETERS @ 25°C		
TOL.	VALUE	
±10%	VOLTAGE SENSITIVITY (V/1000 RPM)	
MAX	VOLTAGE RIPPLE @ 11 CY/REV (% AVG-PK)	
±10%	D.C. RESISTANCE (OHMS)	
±30%	INDUCTANCE (mH)	



CONNECTOR PINOUT	
PIN	FUNCTION
1	MOTOR +
2	MOTOR -
3	CASE GROUND
4	N/C
5	N/C
6	TACH +
7	TACH -
8	N/C
9	N/C
10	N/C
11	N/C
12	BRAKE +
13	BRAKE -
14	N/C

NOTE: THIS DRAWING HAS BEEN CREATED BY AUTOCAD. MANUAL REVISIONS ARE NOT ALLOWED.

DRAWN P-2-04	CHECKED P-2-04	APPROVED	TITLE D.C. MOTOR-BRAKE-TACHOMETER
TOLERANCES UNLESS OTHERWISE SPECIFIED XX ±.005 XXX ±.010 DIMENSIONS ARE IN INCHES		SIZE C	NUMBER 4241-MBT4755
SCALE .75:1		SHEET 1 of 1	

THIS DRAWING AND THE INFORMATION DISCLOSED HEREIN ARE PROPRIETARY INFORMATION OF MCG. REPRODUCTION OF THIS DRAWING OR THE INFORMATION CONTAINED HEREIN IS PROHIBITED WITHOUT THE EXPRESSED WRITTEN APPROVAL OF MCG.